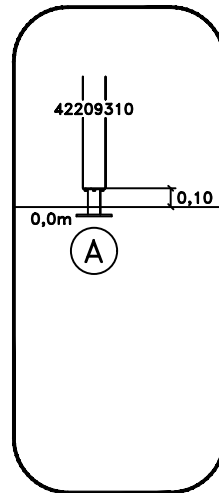


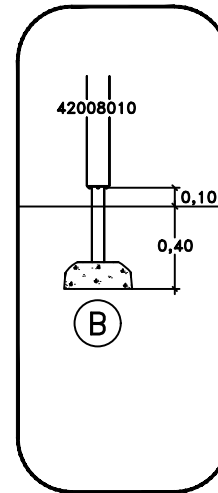
**260329**  
**4203**  
**422213**  
**423211**  
**423213**  
**424213**  
**426121**  
**426162**  
**428952**  
**448000**  
**8028454**  
**42008010**  
**42060310**  
**42060742**  
**42070310**  
**42091210**  
**42095410**  
**42270310**  
**42470310**  
**4997-021204**  
**MA42077151**  
**MA42277151**  
**MA42477151**

**MASW25799**  
**MASW35156**  
**MASW35330**  
**MASW39775**  
**MASW62282**  
**MASW69472**

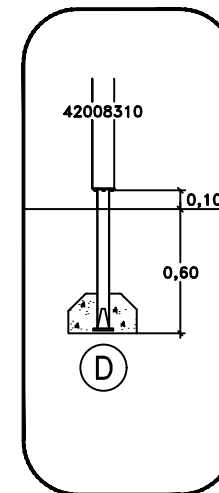
42008010



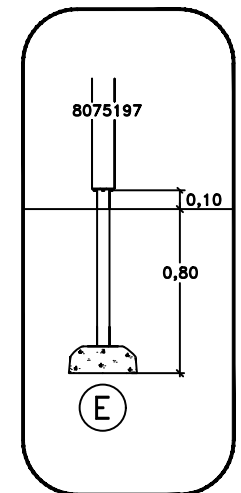
**OM**  
**Above Ground**  
 8091072



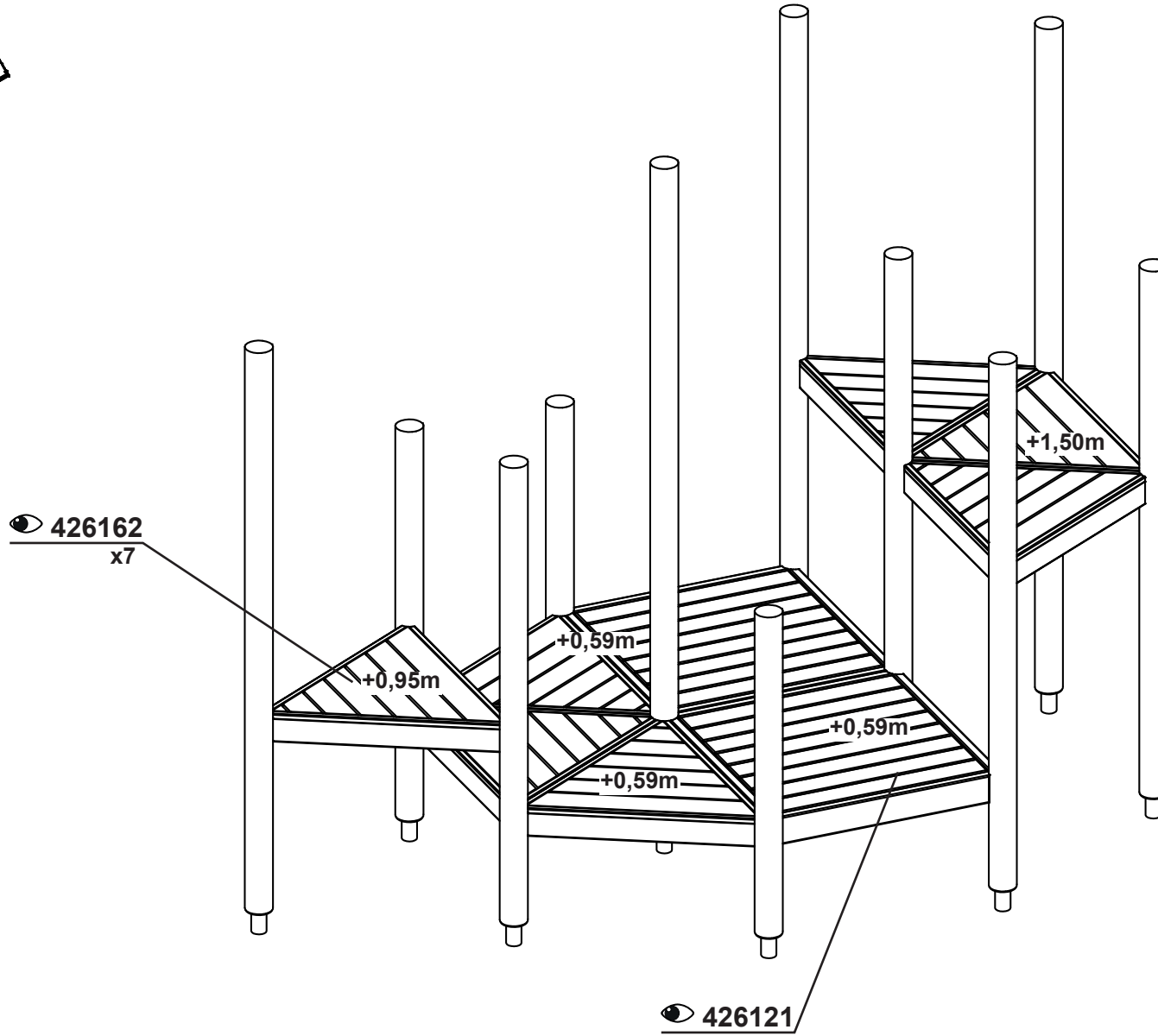
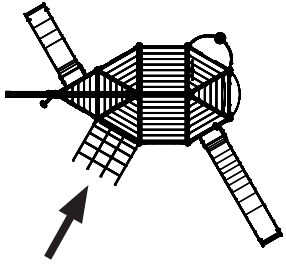
**SF**  
**Sunken Foundation**  
 8061771

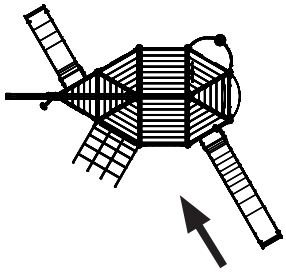


**CC**  
**Cast In Place**  
 8063275



**BM**  
**Loosefill**  
 8072491





42060310  
L=2,70m  
+2,66m

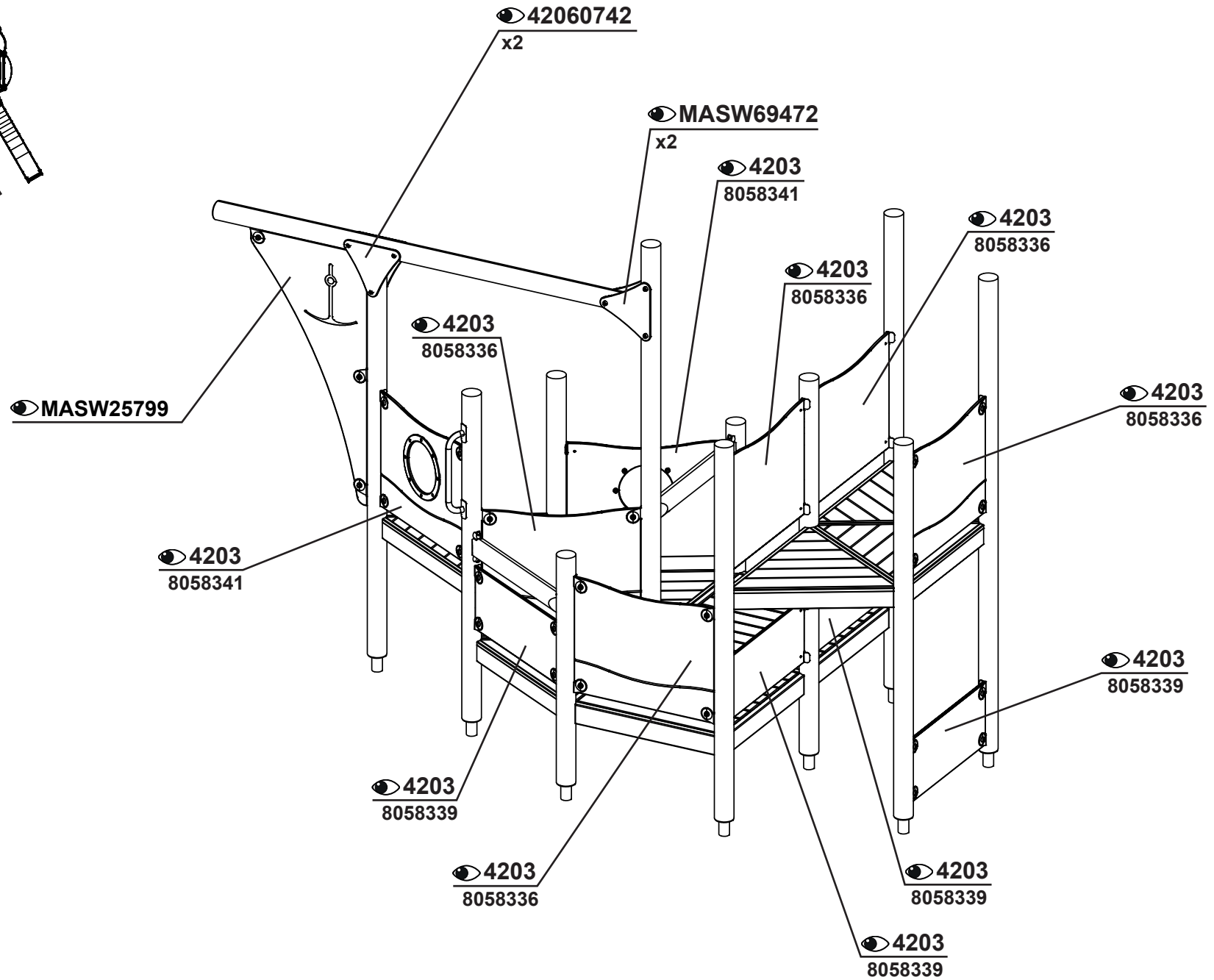
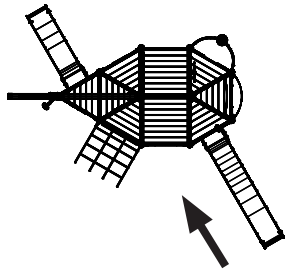
42060310  
L=0,89m  
+1,40m

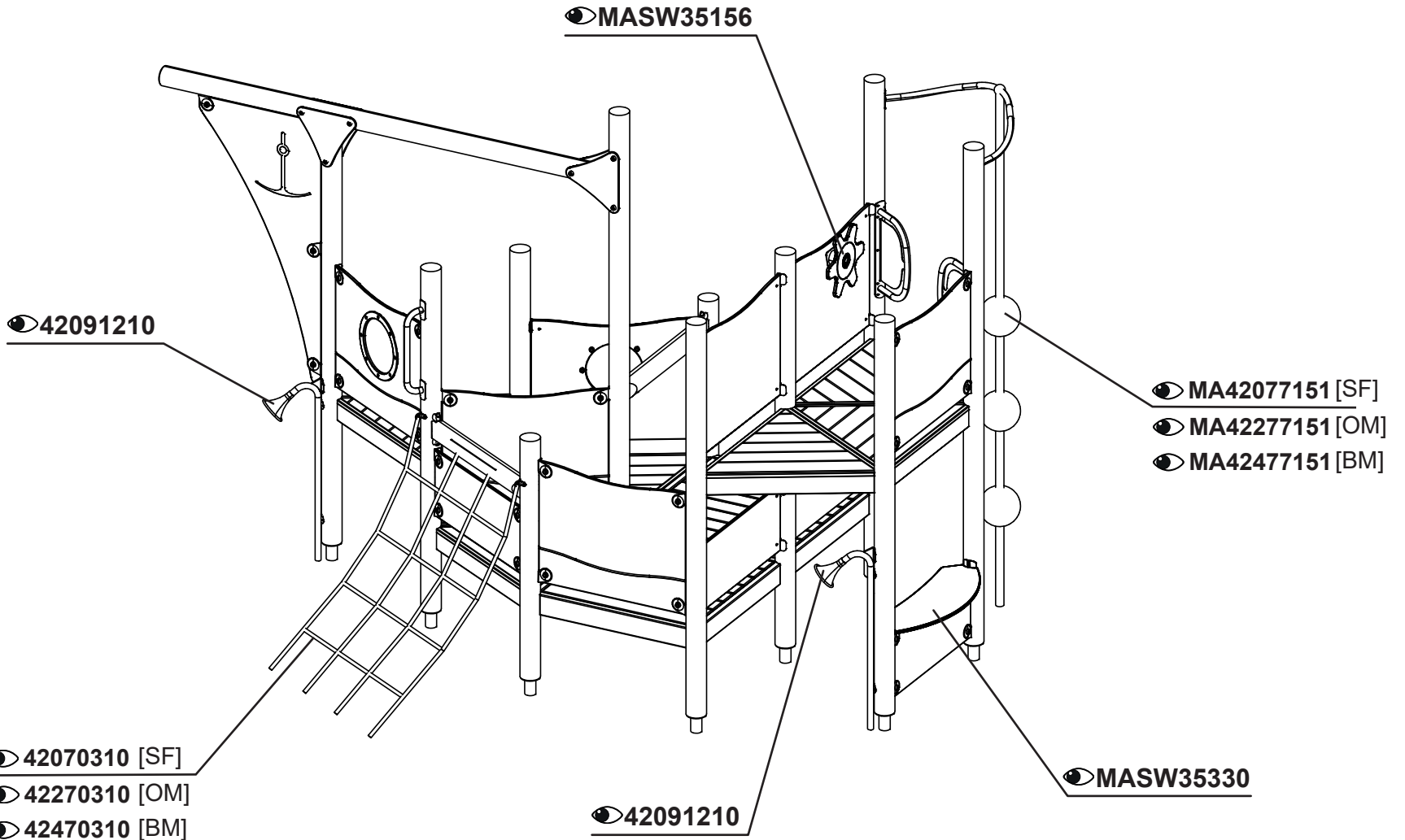
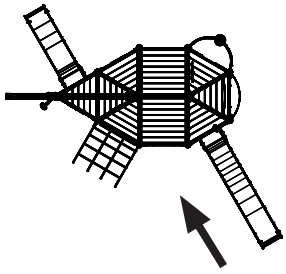
MASW62282

42060310  
L=0,89m  
+1,23m

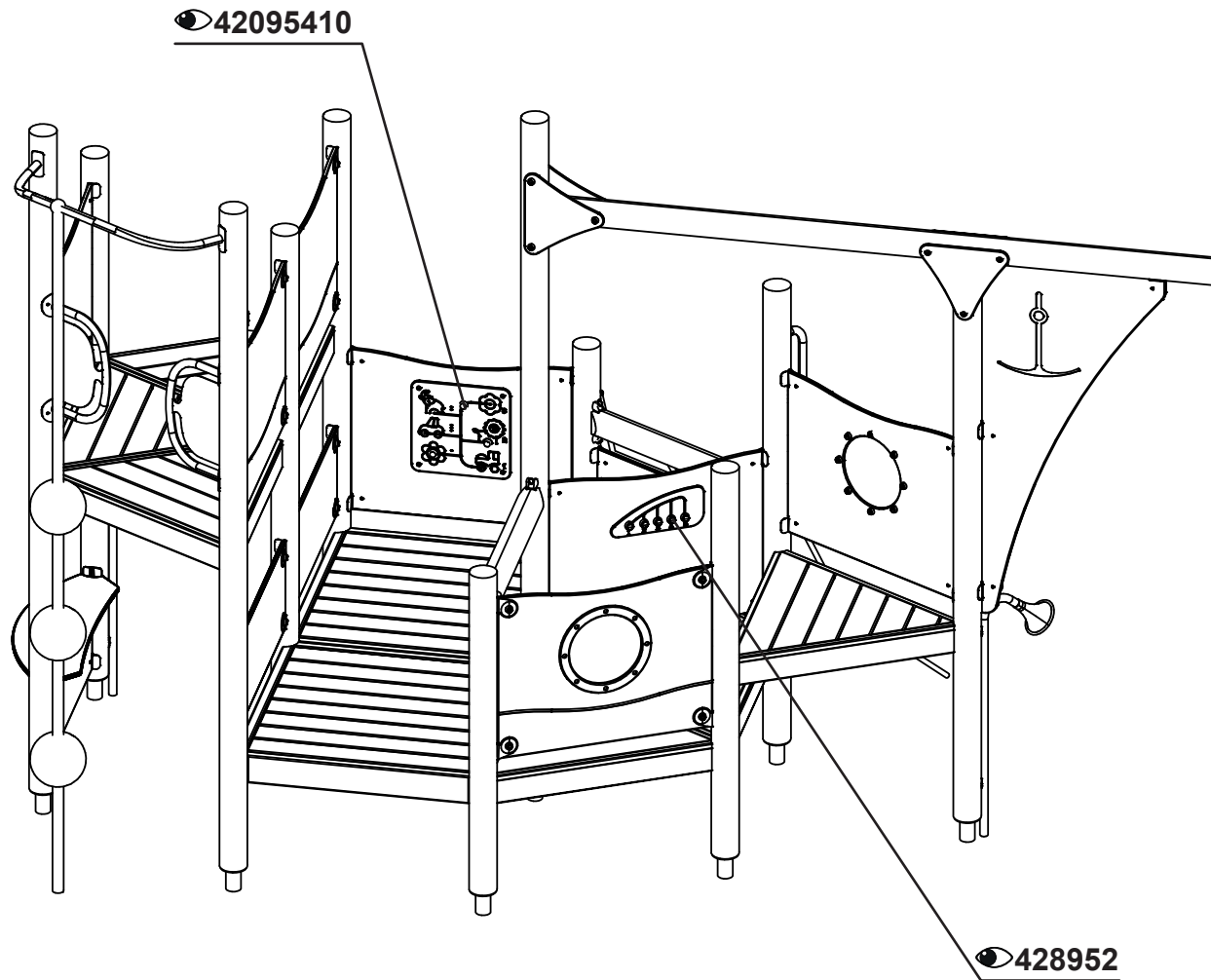
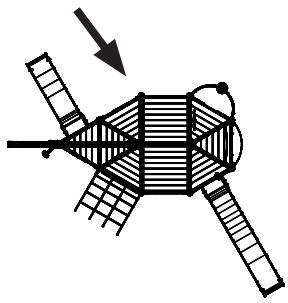
701mm

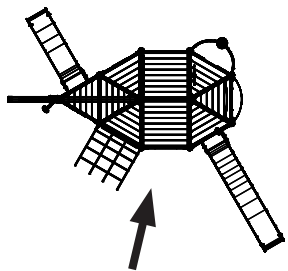
531mm











4997 -021204

MASW39775  
x10

HAGS  
260329

423211

423213 [SF]

422213 [OM]

424213 [BM]